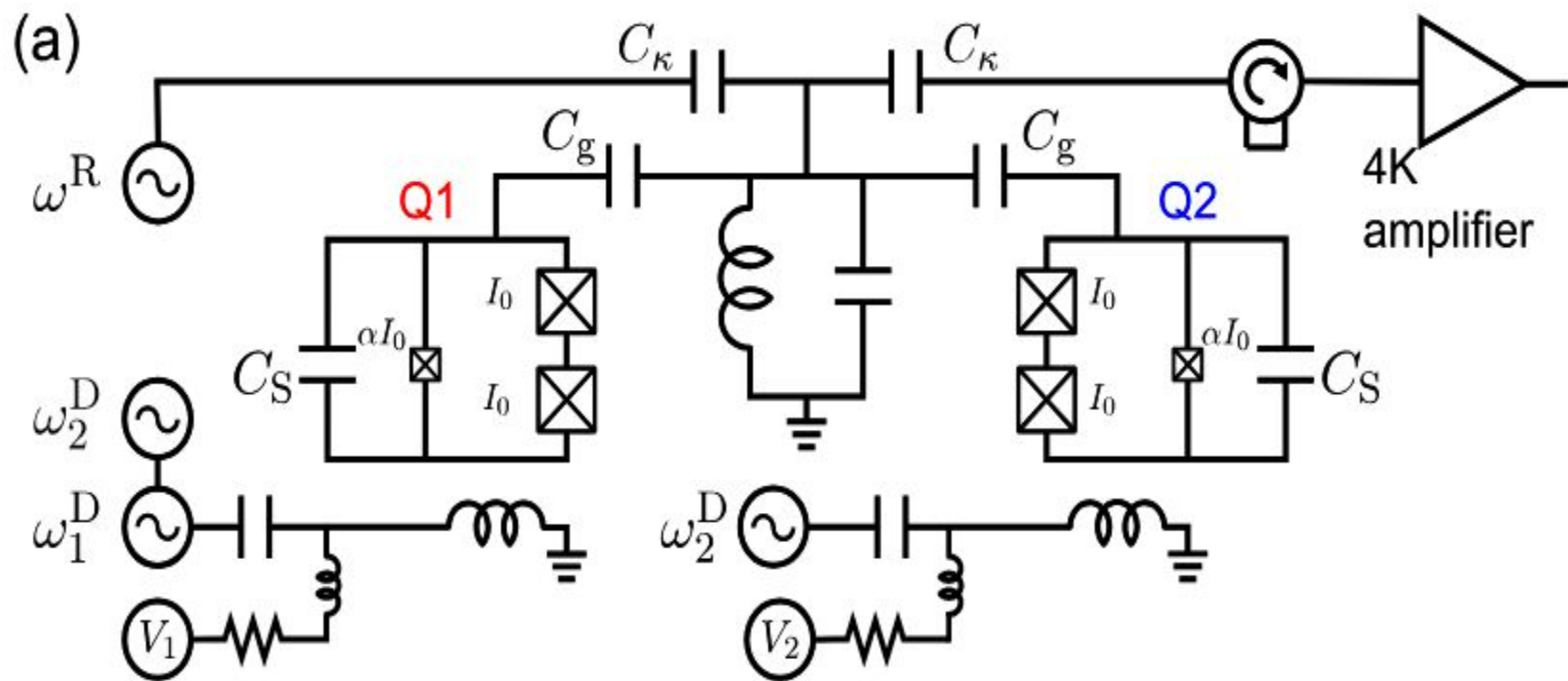
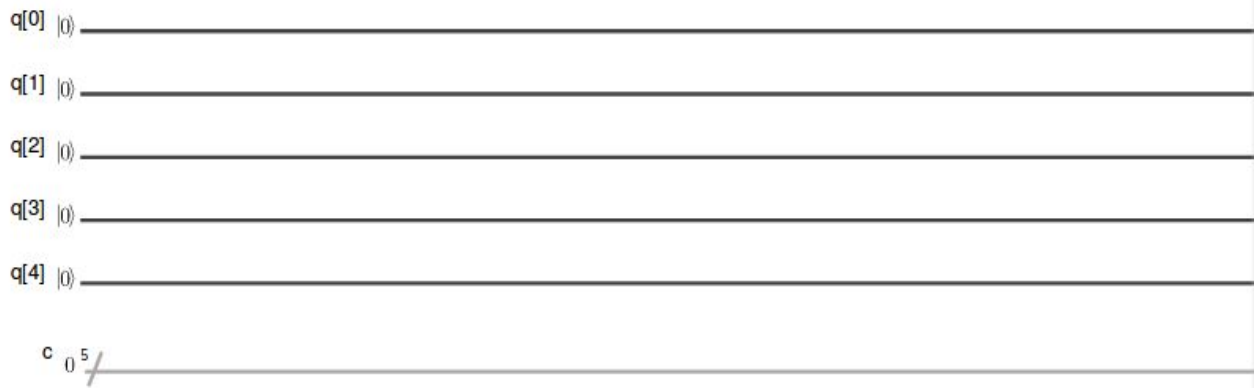


Квантовая
термодинамика:
результаты
вычислений на
IBM Qcomp





GATES i

Advanced

U1	U2	U3	id
X	Y	Z	H
S	S [†]	+	T
T [†]			

BARRIER



OPERATIONS



```

1 include "qelib1.inc";
2 qreg q[5];
3 creg c[5];
4
5 h q[2];
6 h q[3];
7 cx q[3],q[2];
8 h q[2];
9 h q[3];
10 measure q[2] -> c[2];
11 measure q[3] -> c[3];
12

```

Import QASM

Download QASM

